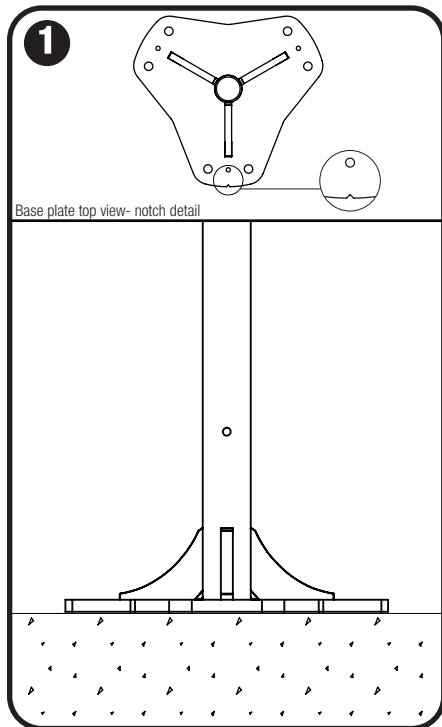


SOLERIS SUNSHADE

STANDALONE WITH TABLETOP SURFACE MOUNT INSTALLATION INSTRUCTIONS

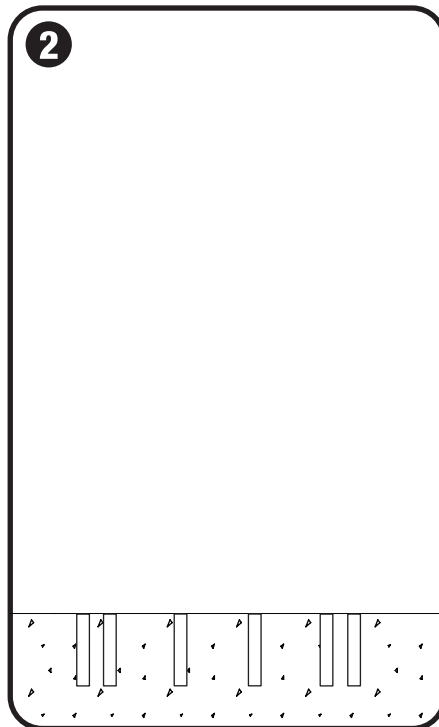
INCLUDED	MOUNTING KIT (SOLD SEPARATELY)	TOOLS NEEDED
<p>e f g locking pin</p>	<p>5/16" hex bit for tamper-resistant bolts 7/32" hex bit for tamper-resistant bolts epoxy a b c d</p>	<p>1/4", 1/2" & 7/8" drill bits for concrete pencil ratchet hammer drill steel wire brush epoxy gun</p>

STEP BY STEP FOR STANDALONE SOLERIS SUNSHADE USED WITH TABLETOP



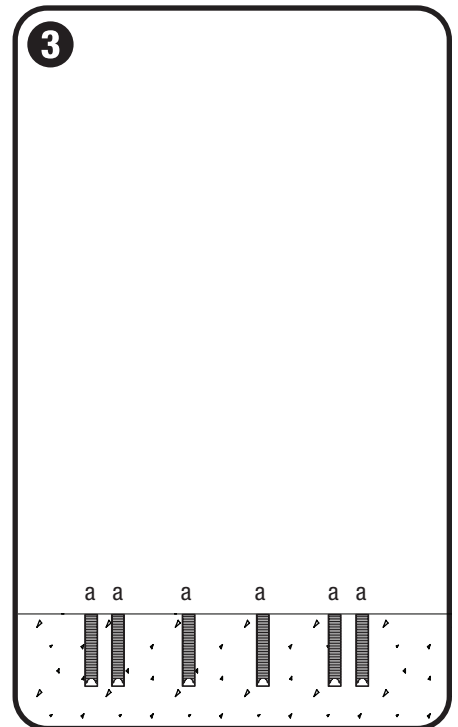
Mark hole locations

- Place the surface mount stand in desired location. Mark center of each hole location with a pencil. Mounting holes are located on the sunshade's base plate.
- To show multiple Soleris Sunshades in the same orientation, align the notch on the base plates (detail above) in the same direction.



Drill holes

- Use hammer drill to drill 5" deep x 7/8" diameter anchor holes at each marked location using a 7/8" drill bit suitable for concrete drilling.
- NOTE: Forms+Surfaces recommends starting holes with 1/4" diameter drill bit followed by 1/2" and finally 7/8" for maximum accuracy.



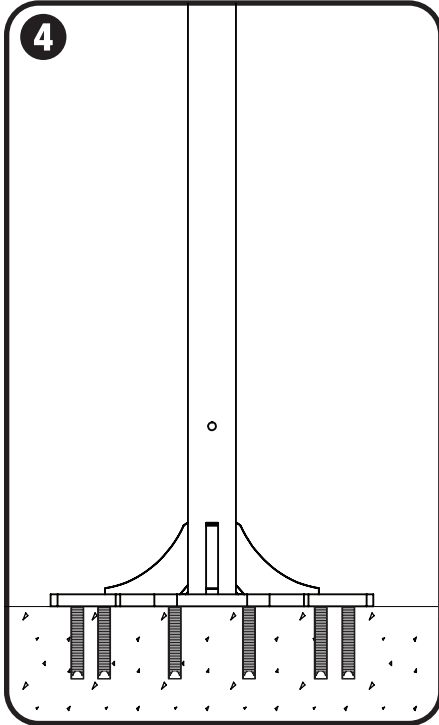
Fill holes & insert anchors

- Use compressed air and steel wire brush to clean each anchor hole in accordance with epoxy instructions.
- Use epoxy in epoxy gun to fill each anchor hole 5/8" of the hole depth in accordance with epoxy instructions.
- Insert 1/2"-13 x 5" epoxy anchor (a) into each anchor hole so anchor top is flush with ground. Allow proper curing time according to cure schedule on epoxy instructions before moving on to Step 4.

SOLERIS SUNSHADE

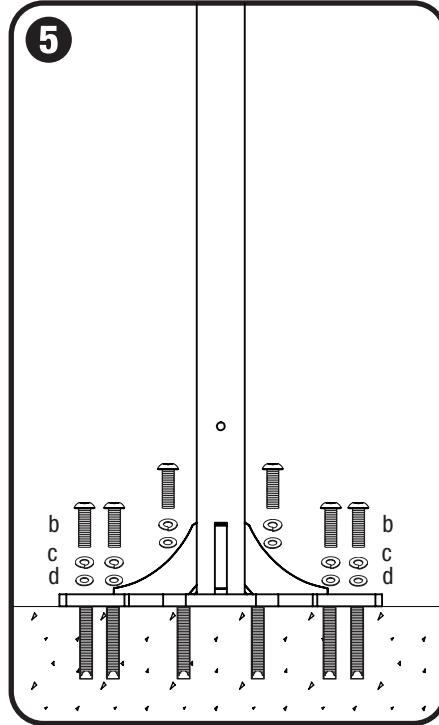
STANDALONE WITH TABLETOP SURFACE MOUNT INSTALLATION INSTRUCTIONS

STEP BY STEP FOR STANDALONE SOLERIS SUNSHADE USED WITH TABLETOP



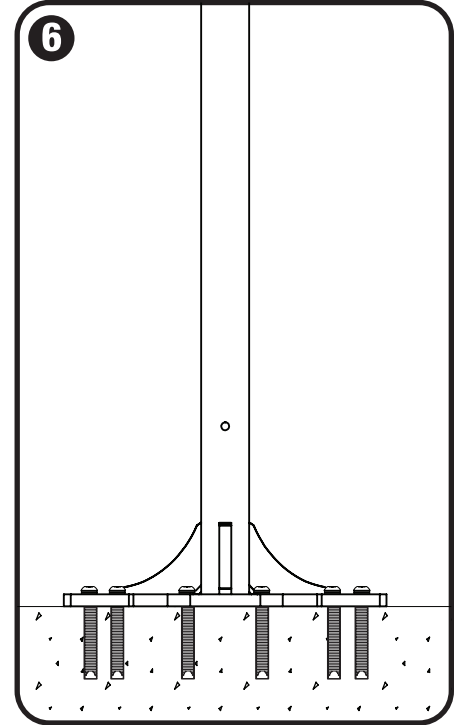
Position base plate

- Position base plate so that mounting holes line up with anchors.



Attach base plate

- Slide 1/2" stainless steel lock washer (c), and 1/2" stainless steel flat washer (d), onto each 1/2"-13 x 1.5" tamper-resistant button head cap bolt (b).
- Insert bolts into mounting holes in the sunshade's base plate and thread into anchors using 5/16" hex bit for tamper-resistant bolts.



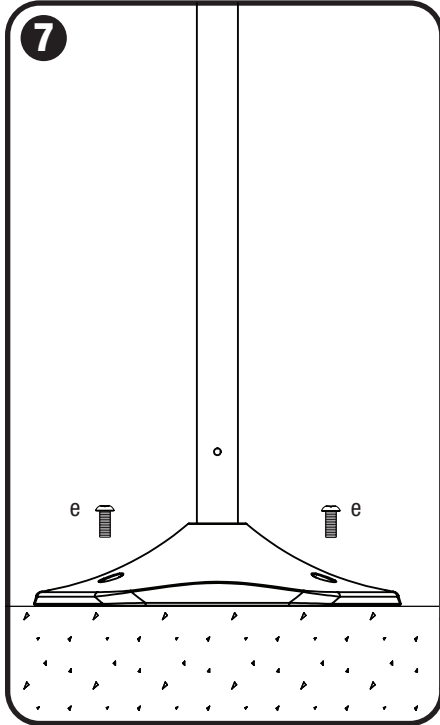
Tighten bolts

- Tighten bolts until snug.

SOLERIS SUNSHADE

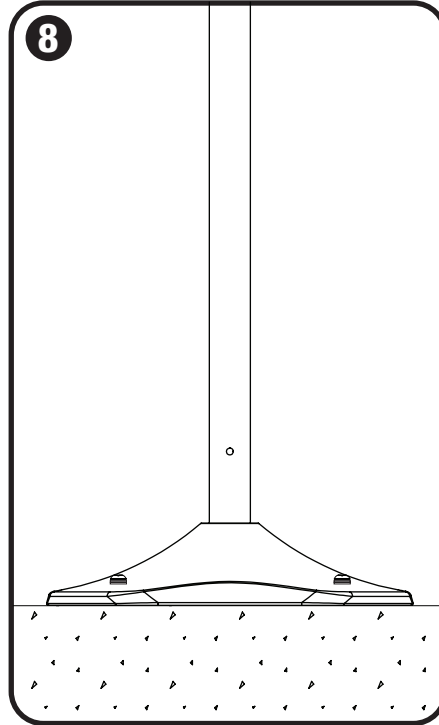
STANDALONE WITH TABLETOP SURFACE MOUNT INSTALLATION INSTRUCTIONS

STEP BY STEP FOR STANDALONE SOLERIS SUNSHADE USED WITH TABLETOP



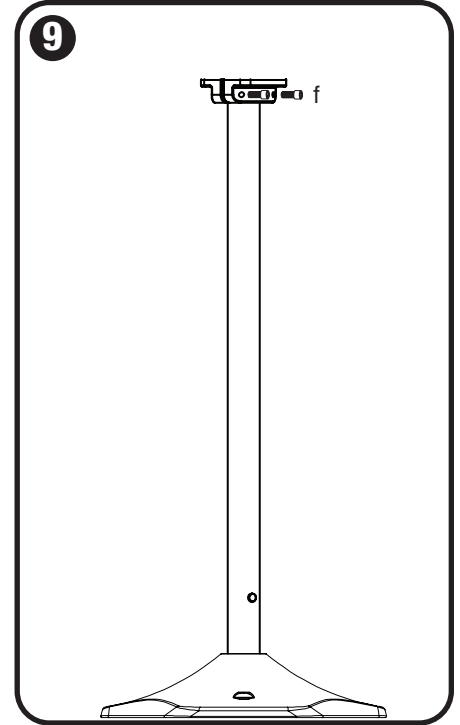
Attach escutcheon to base plate

- Position escutcheon so that the mounting holes line up with the base plate.
- Insert 3/8" -16 x 3/4" tamper-resistant button head cap bolt (e) into mounting holes in the escutcheon and thread into holes using 7/32" hex bit for tamper-resistant bolt.



Tighten bolts

- Tighten bolts until snug.



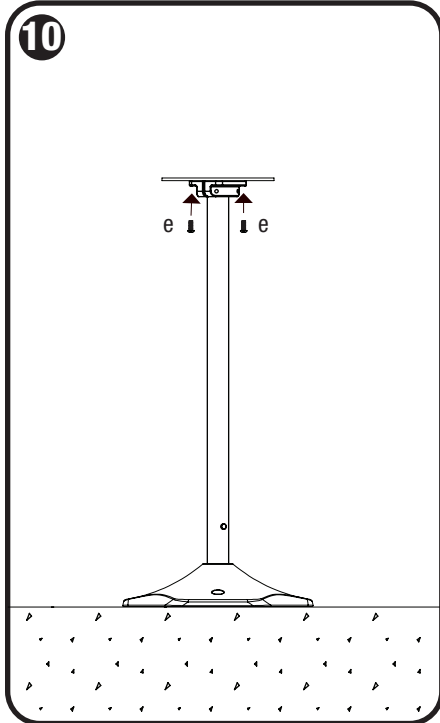
Attach clamp to mounting pole

- Position clamp around the top of the mounting pole so that screw holes align.
- Insert 3/8" x 1-1/2" cap head bolt (f) into bolt holes in the clamp and thread into holes using 5/16" hex bit for tamper-resistant bolts.

SOLERIS SUNSHADE

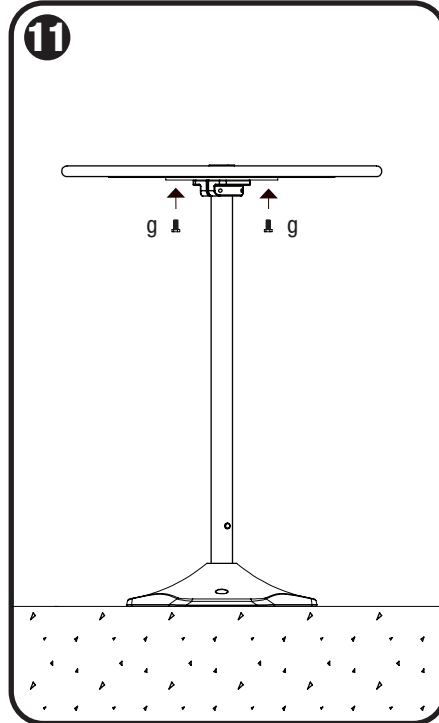
STANDALONE WITH TABLETOP SURFACE MOUNT INSTALLATION INSTRUCTIONS

STEP BY STEP FOR STANDALONE SOLERIS SUNSHADE USED WITH TABLETOP



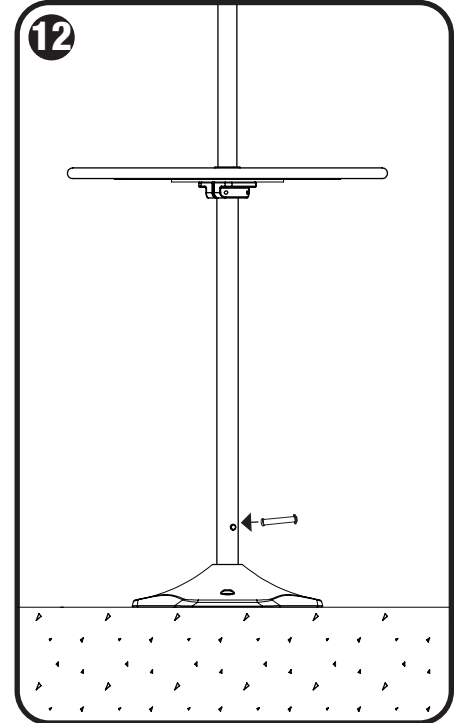
Attach plate to clamp

- Position plate so that the mounting holes line up with the table clamp.
- Insert 3/8" - 16 x 3/4" tamper-resistant button head cap bolt (e) into mounting holes on clamp and thread into holes using 7/32" hex bit for tamper resistant bolts.



Attach tabletop to plate

- Position tabletop so that the mounting holes line up with the plate.
- Use drill with 1/2" nut driver (or socket wrench with 1/2" socket) to attach tabletop to column with 5/16" - 18 x 3/4" hex head bolts (g).



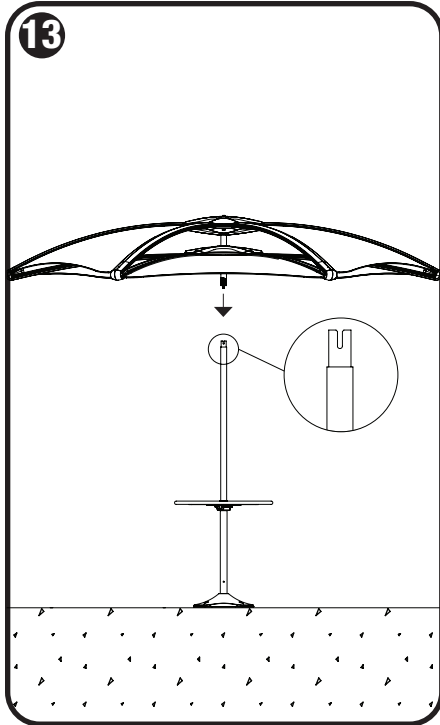
Place mounting pole in mounting pole sleeve and insert locking pin

- Place mounting pole through tabletop and clamp, into mounting pole sleeve.
- Line up the pre-drilled holes in the mounting pole and mounting pole sleeve, and insert the locking pin.

SOLERIS SUNSHADE

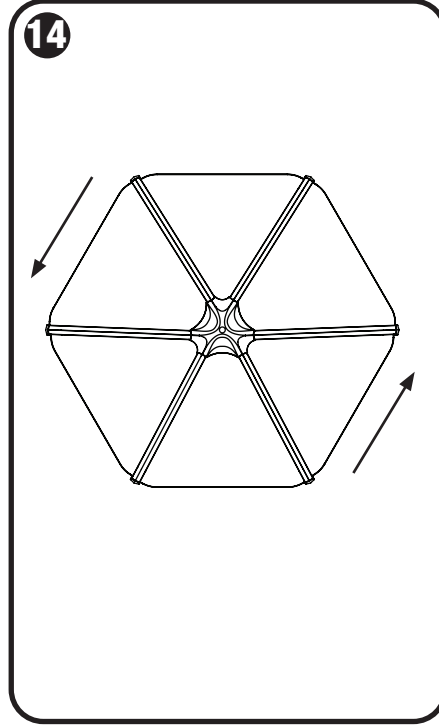
STANDALONE WITH TABLETOP SURFACE MOUNT INSTALLATION INSTRUCTIONS

STEP BY STEP FOR STANDALONE SOLERIS SUNSHADE USED WITH TABLETOP



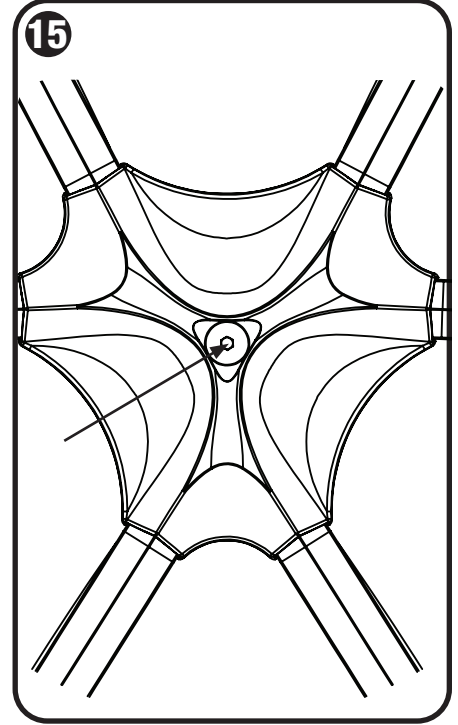
Slide sunshade assembly onto mounting pole

- Slide the tube in the center of the sunshade assembly onto the mounting pole, linking the two pieces together.



Rotate sunshade

- Rotate sunshade until it engages with pins.



Tighten bolt on top of sunshade

- Tighten bolt on top of sunshade with ratchet until snug.